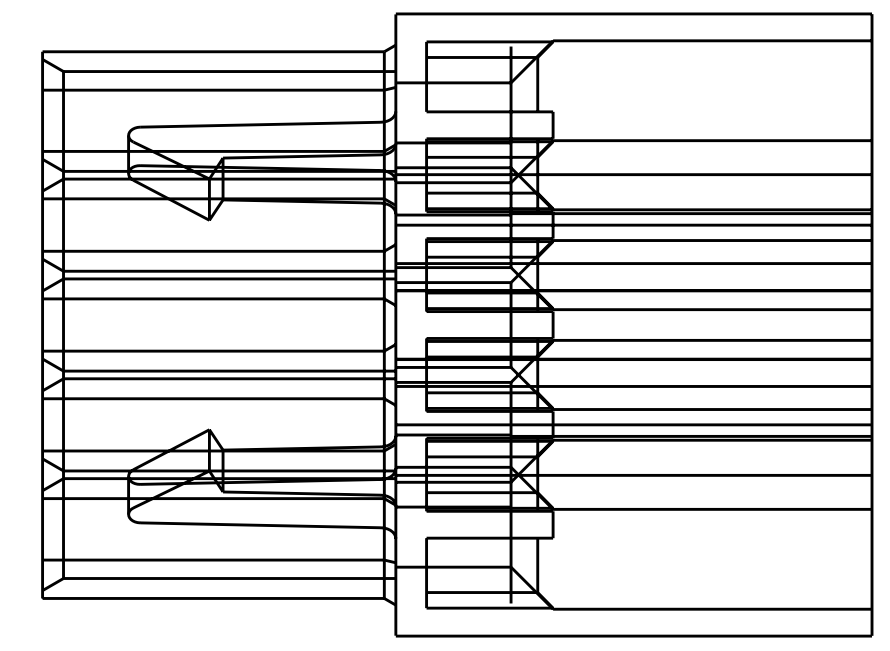
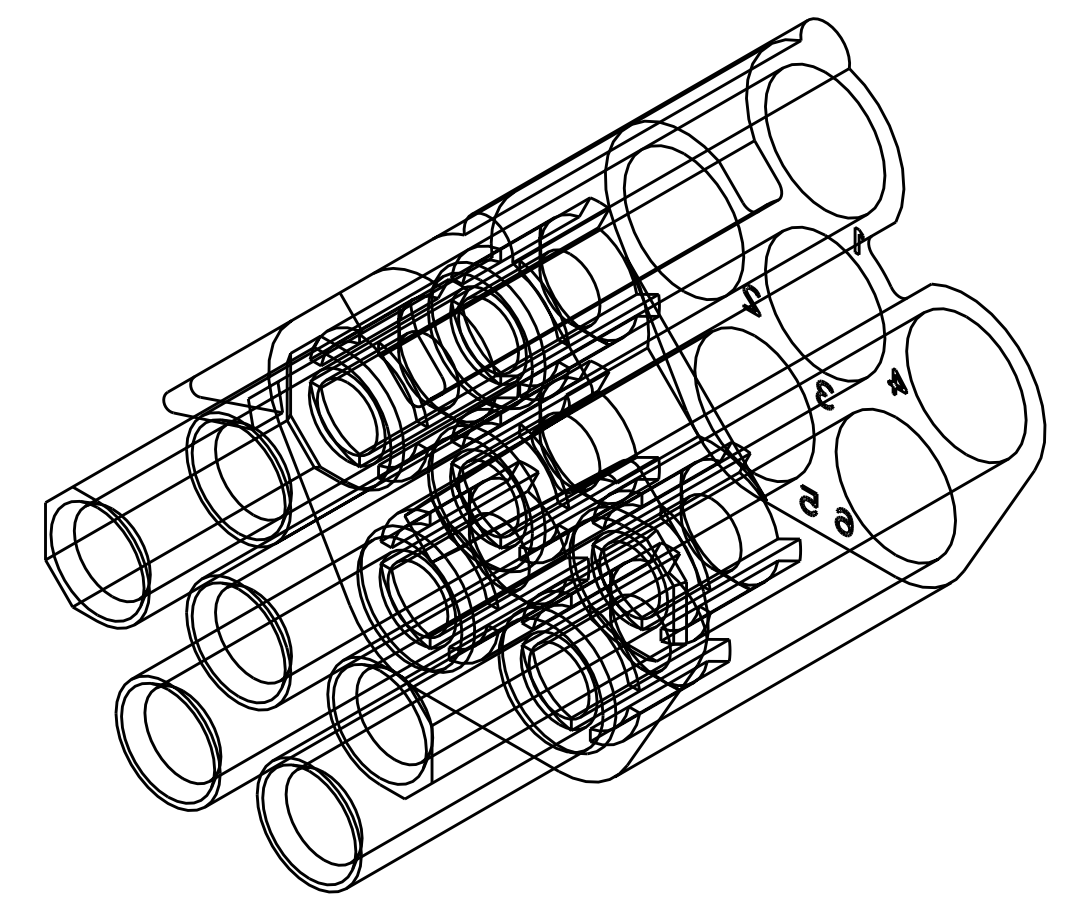
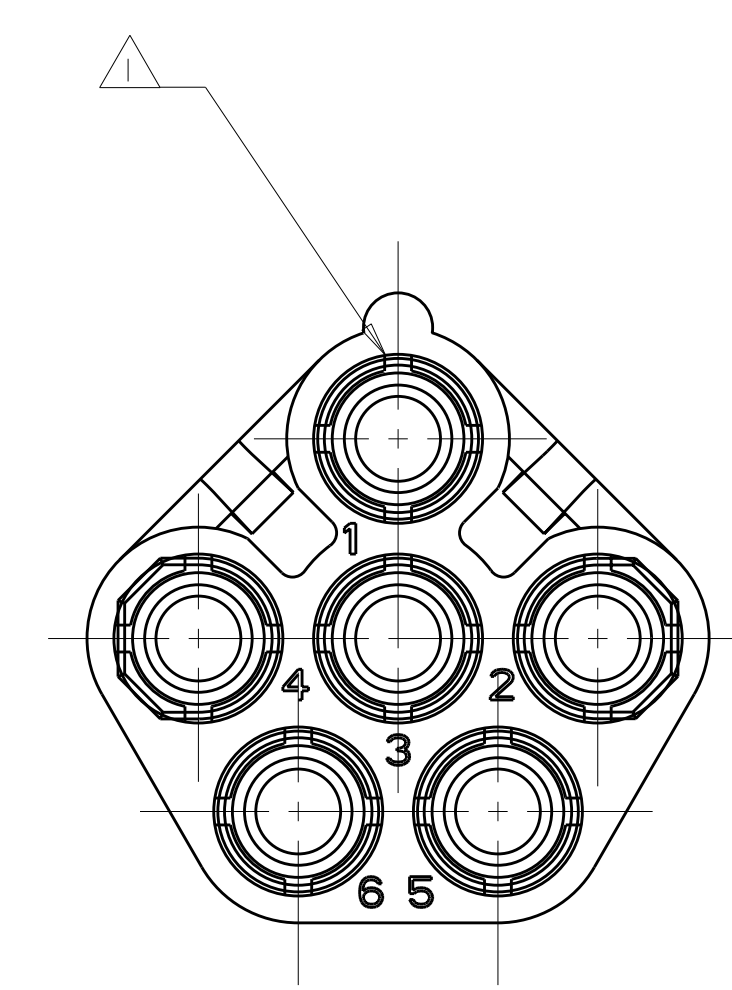
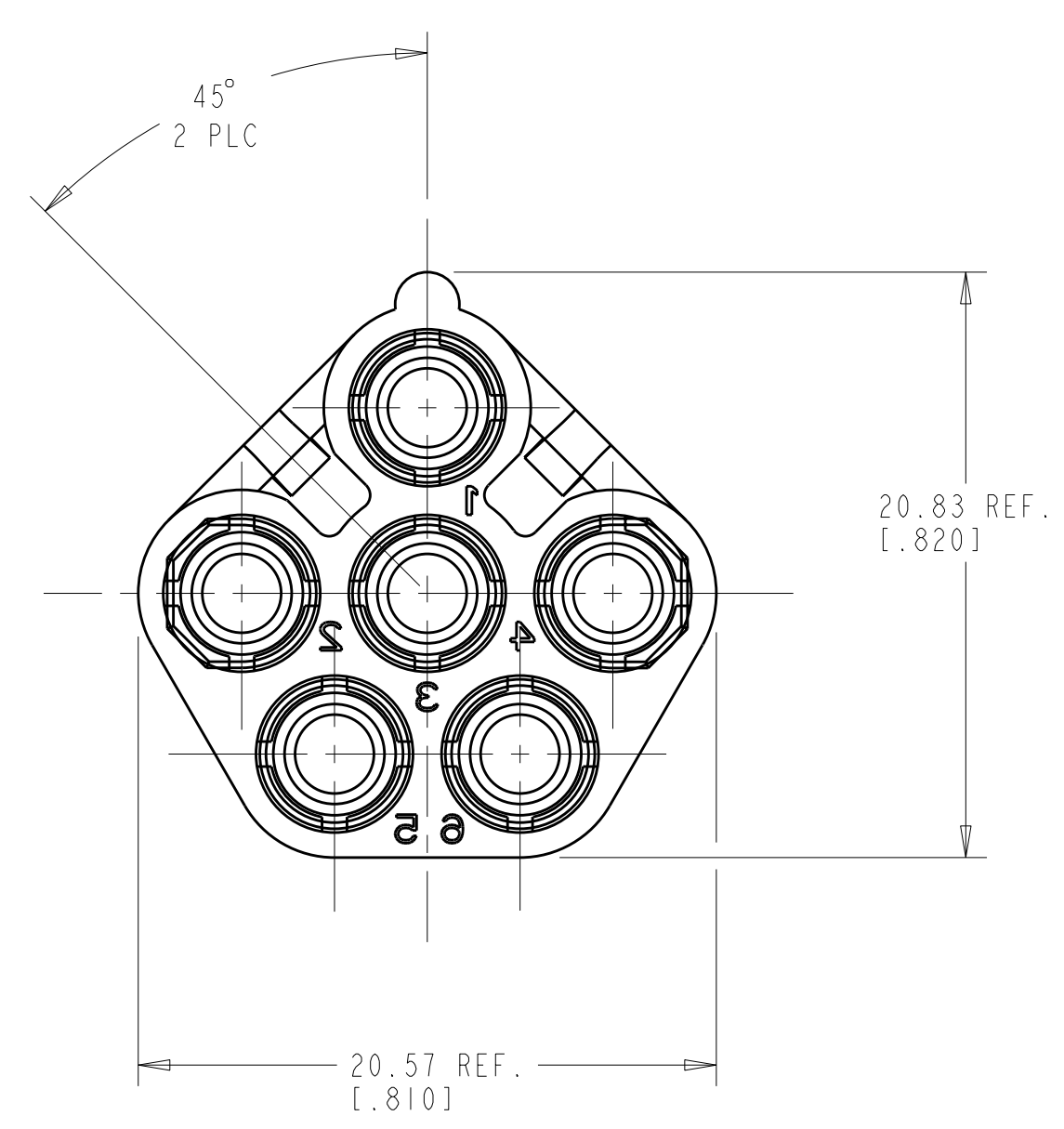
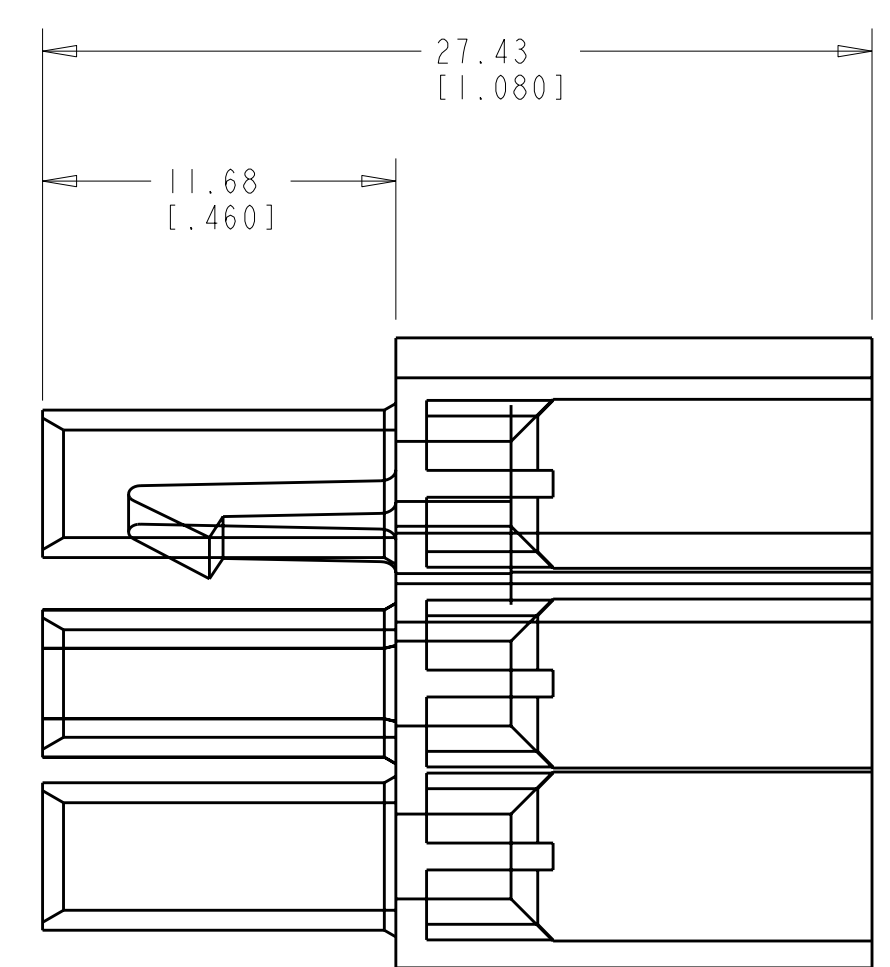


LOC	DIST	REVISIONS					
CM	00	P	LTB	DESCRIPTION	DATE	DWN	APVD
		A		REVISED PER 063B-0550-01	02-OCT-01	KW	SR
		A1		REVISED PER ECO-07-001375	18JAN2007	KW	DC



△ FOUR RIBS EQUALLY SPACED, NO SPECIFIC ORIENTATION.



3-DIMENSIONAL MODEL
SCALE 4:1

VOLUME	COLOR	PART NUMBER
0.172 IN ³	BLACK	794911-9
0.172 IN ³	GRAY	794911-8
0.172 IN ³	BROWN	794911-7
0.172 IN ³	BLUE	794911-6
0.172 IN ³	GREEN	794911-5
0.172 IN ³	YELLOW	794911-4
0.172 IN ³	ORANGE	794911-3
0.172 IN ³	RED	794911-2
0.172 IN ³	NATURAL	794911-1

METRIC

DIMENSIONS: mm 		TOLERANCES UNLESS OTHERWISE SPECIFIED: 9 PLC ± 1 PLC ± 2 PLC ±0.13(.005) 3 PLC ± 4 PLC ± ANGLES ±0°30' FINISH -		DWN R. WHITAKER 23-MAR-2001 CHK S. RIDGILL 23-MAR-2001 APVD S. RIDGILL 23-MAR-2001 PRODUCT SPEC APPLICATION SPEC WEIGHT CUSTOMER DRAWING		Tyco Electronics Harrisburg, PA 17105-3608 NAME PLUG, CIRCULAR, 6 CIRCUIT, UNIVERSAL MATE-N-LOK(TM) SIZE CAGE CODE DRAWING NO. RESTRICTED TO A1 00779 C=794911 SCALE 4:1 SHEET 1 OF 1 REV A1	
-----------------------	--	--	--	--	--	--	--